

PC5M1	kg 5	+/- 250 mg tolleranza / tolerance
PC10M1	kg 10	+/- 500 mg tolleranza / tolerance
PC20M1	kg 20	+/- 1000 mg tolleranza / tolerance

OPZIONI A RICHIESTA:

- PCSIT-CERTIFICATO SIT (lotto minimo 10 pz)
- BOXPC5M1: Valigetta in alluminio con maniglia per trasporto
- BOXPC10M1: Valigetta in alluminio con maniglia per trasporto
- BOXPC20M1: Valigetta in alluminio con maniglia per trasporto

OPTIONS ON REQUEST:

- PCSIT-SIT certificate (E. A.) (minimum batch 10 pcs)
- BOXPC5M1: Aluminium carrying case with handle
- BOXPC10M1: Aluminium carrying case with handle
- BOXPC20M1: Aluminium carrying case with handle



VALIGETTA in ALLUMINIO
(Aluminium carrying case)

- Specifiche materiale: ghisa verniciata HT150
(Material details: HT150 painted cast iron)

- Composizione (%): C: 3.46 - 3.54
(Composition) Si: 0.51 - 0.57
Mn: 2.12 - 2.49

- Proprietà meccaniche:
resistenza a trazione (MPa) = 150w
(Mechanical properties: Tensile strength)

- Struttura: ghisa perlite (grafite lamellare+ferrite)
(Structure: pearlitic cast iron -flake graphite+ferrite-)

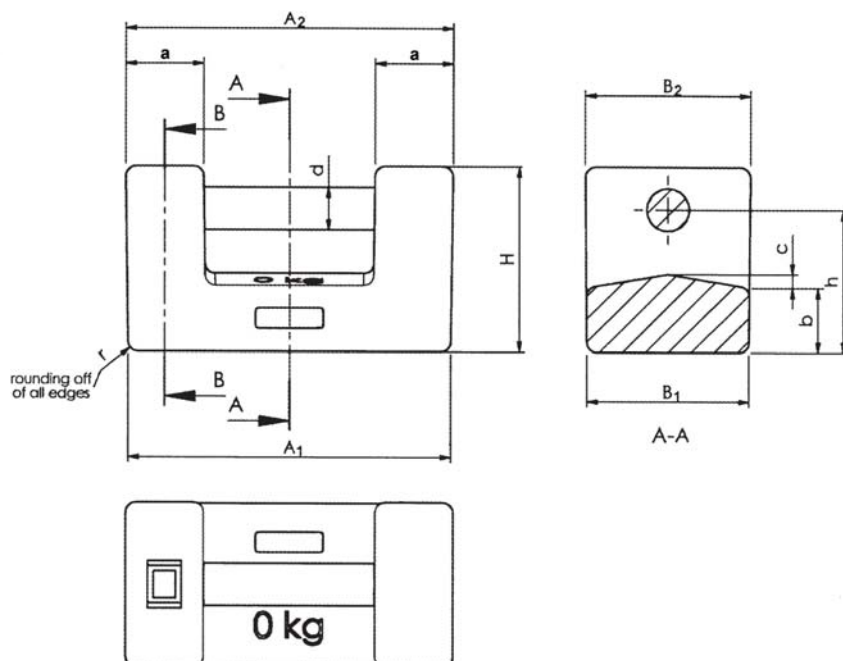


Table of dimension (in millimeter)

Nominal value	A ₁	A ₂	B ₁	B ₂	H	a	b	c	d	h	r
5 kg	150	152	75	77	84	36	30	6	19	66	5
10 kg	190	193	96	97	109	46	38	8	25	84	6
20 kg	230	234	115	117	139	61	52	12	29	109	8

Dimensions A and A' as well as B and B' can be reversed

Maximum permissible errors for weights (± δm in mg)

Nominal value	Class M ₁
5 kg	250
10 kg	500
20 kg	1000