

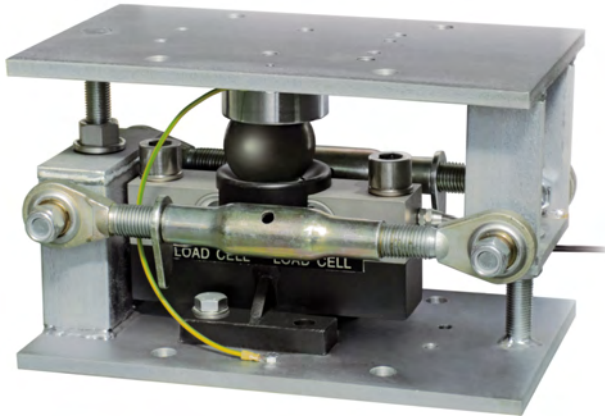
# VCOKDTL

MOUNTING KIT for DOUBLE SHEAR BEAM / COLUMN load cells

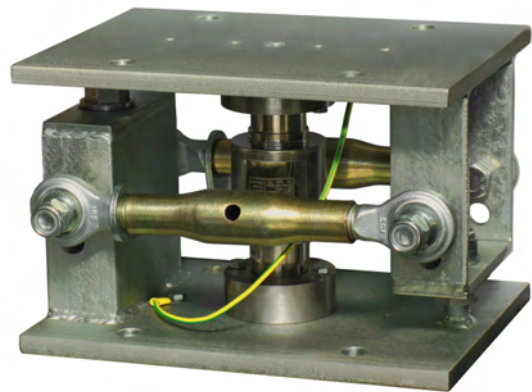
LAUMAS®  
ELETTRONICA

Series load cells: DTL - COL - COLD - COK

Application range from 15000 to 50000 kg



DOUBLE SHEAR BEAM load cells



COLUMN load cells

MAX STATIC LOAD kg	FOR LOAD CELLS	NET WEIGHT OF MOUNTING KIT (kg)	CODE
50000	DTL - COL - COLD - COK	39	VCOKDTL

Load cell not included.

## DESCRIPTION

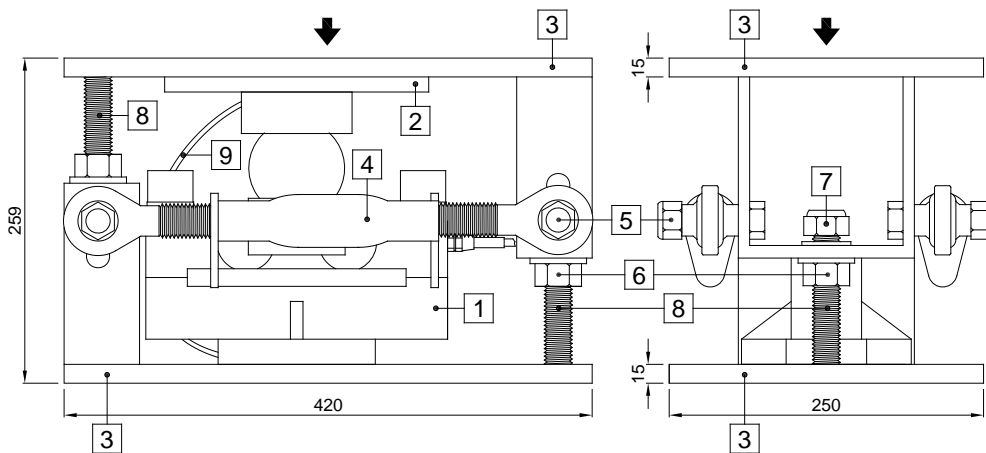
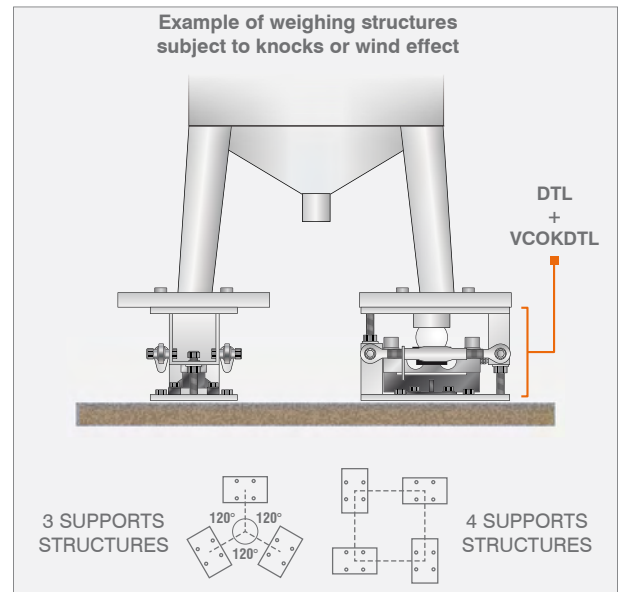
- Galvanized steel upper and lower plate.
- Galvanized steel plate (for DOUBLE SHEAR BEAM load cell)
- Upper and lower bases (for COLUMN load cell)
- Two integrated galvanized steel stay rods with dual ball-and-socket joints suitable to counter the lateral force.
- Anti-tilt system consists of two threaded bars with self-locking nut.

### DIMENSIONS AND TECHNICAL SPECIFICATIONS

Upper and lower plates [3] must rest completely on not deformable surfaces. To ensure the stability of the structure, the system designer must predict any further precaution against side shifts and anti-tilt in function of: knocks and vibrations, wind effect, seismic conditions and hardness of support structure.

#### for DOUBLE SHEAR BEAM load cells (DTL):

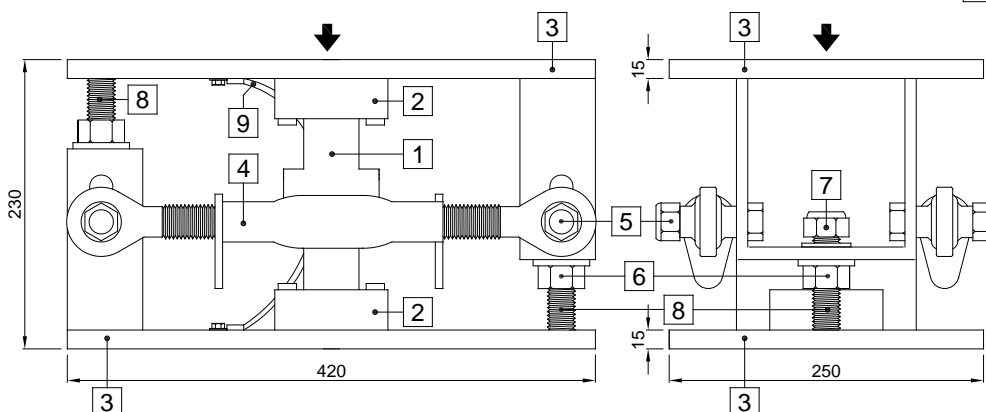
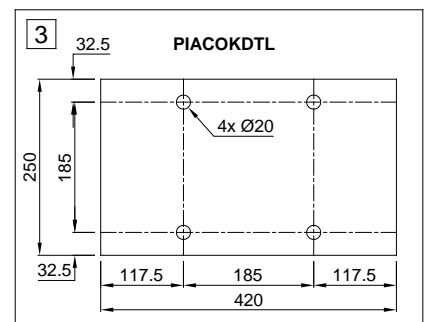
- Install the weighed system using only the mounting kit without the load cell [1] and inserting in its place a piece of pipe (Ø40x220 mm): unscrewing the nuts [5] and take off one of the two stay rods [4] and the plate [2].
- To finish the installation (weldings, etc.), take off the piece of pipe and the plate [2]; to place the plate [2] on the load cell [1] and insert them in mounting kit.
- Fix the load cell and the plate by using the bolts provided.
- Connect lower and upper plates [3] to the earthing system [9] then loosen nuts [6]; verify that the threaded bar [8] slides into the hole; turn anti-tilt nuts [7] to a distance of 1 mm from plate.



- [1] Load cell.
- [2] Galvanized steel plate (PIATTODTL).
- [3] Galvanized steel upper and lower plates (PIACOKDTL).
- [4] Galvanized steel stay rod with horizontal constrainer function (TENDITORE300).
- [5] Self-locking nut Ø18.
- [6] Nut Ø22 to be used as jack.
- [7] Anti-tilt self-locking nut Ø22.
- [8] Threaded bar Ø22.
- [9] Copper wire for earthing connection.

#### for COLUMN load cells (COL - COLD - COK):

- Install the weighed system using only the mounting kit without the load cell [1] and inserting in its place a piece of pipe (Ø44x152 mm): unscrewing the nuts [5], take off one of the two stay rods [4] and the lower base [2].
- To finish the installation (weldings, etc.), take off the piece of pipe and the lower base [2]; replace the load cell [1] on the lower base [2] and insert them in mounting kit.
- Connect lower and upper plates [3] to the earthing system [9] then loosen nuts [6]; verify that the threaded bar [8] slides into the hole; turn anti-tilt nuts [7] to a distance of 1 mm from plate.



- [1] Load cell.
- [2] Upper and lower bases.
- [3] Galvanized steel upper and lower plates (PIACOKDTL).
- [4] Galvanized steel stay rod with horizontal constrainer function (TENDITORE300).
- [5] Self-locking nut Ø18.
- [6] Nut Ø22 to be used as jack.
- [7] Anti-tilt self-locking nut Ø22.
- [8] Threaded bar Ø22.
- [9] Copper wire for earthing connection.

The Company reserves the right to make changes to the technical data, drawings and images without notice.