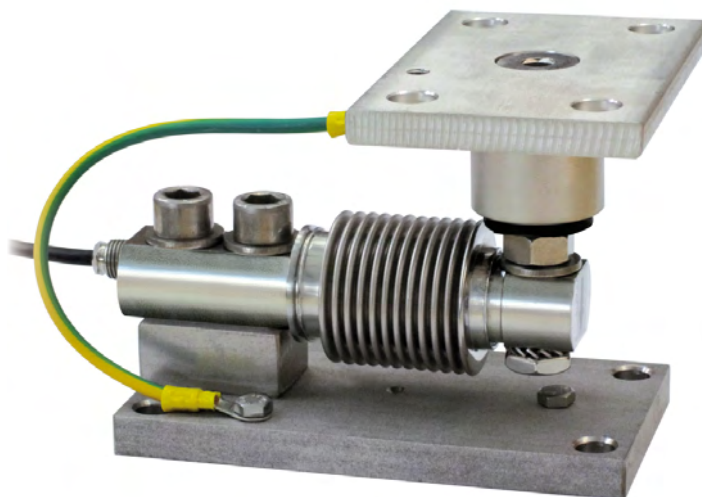


Series load cells: FCAL - FCAX

Application range from 30 to 1500 kg



MAX STATIC LOAD kg	FOR LOAD CELLS	NET WEIGHT OF MOUNTING KIT (kg)	CODE
500	FCAL - FCAX	2.3	TFGP
1500	FCAL - FCAX	-	TFGP2000

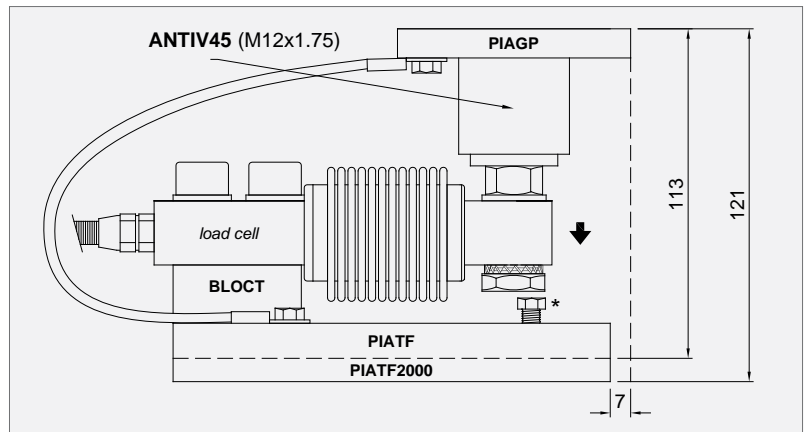
Load cell not included.

DESCRIPTION

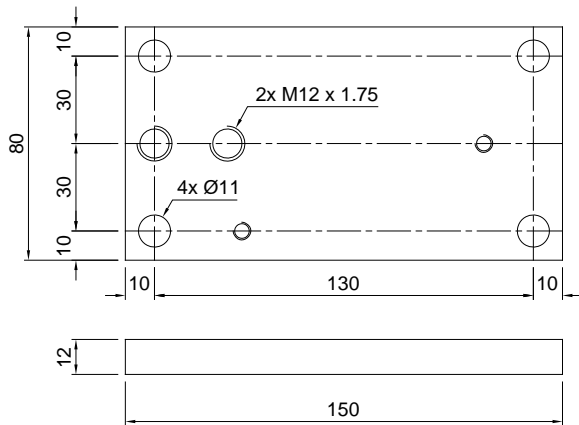
- Upper plate with a compression joint in AISI 304 stainless steel and rubber.
- Lower plate and block in AISI 304 stainless steel.
- Misalignment compensation of the support plates structure.
- Adjustable height.
- Locking screw to avoid damage during transport and installation.

DIMENSIONS AND TECHNICAL SPECIFICATIONS

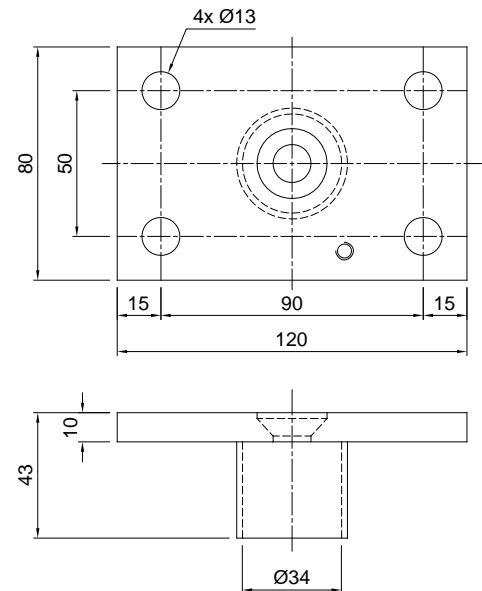
- During the transport and installation the lock (*) must touch under the load cell. After installation, move the lock away from the load cell.
- Interconnect the lower plates to the earthing.
- In case of structure with four-point support, if one-point does not touch the compression joint, you must proceed to insert a shim before fixing the bolts.



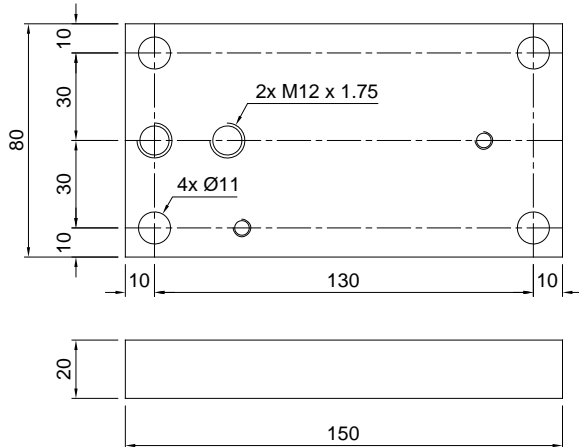
PIATF



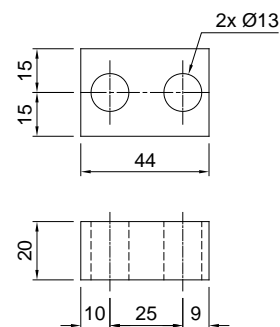
PIAGP



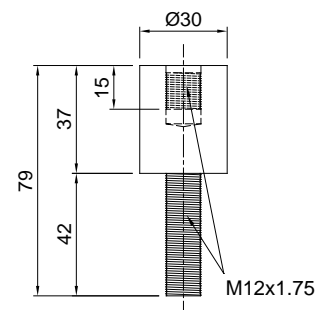
PIATF2000



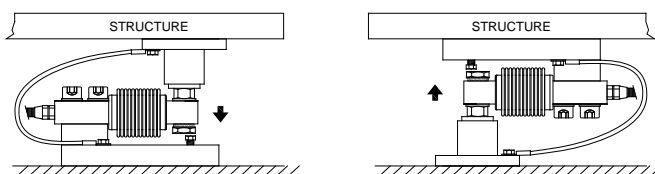
BLOCT



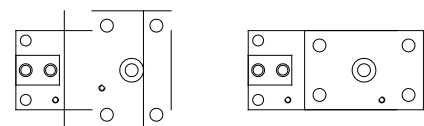
ANTIV45



MOUNTING AND PLACING STRUCTURE



POSSIBLE PPV UPPER PLATE POSITIONS



The Company reserves the right to make changes to the technical data, drawings and images without notice.