

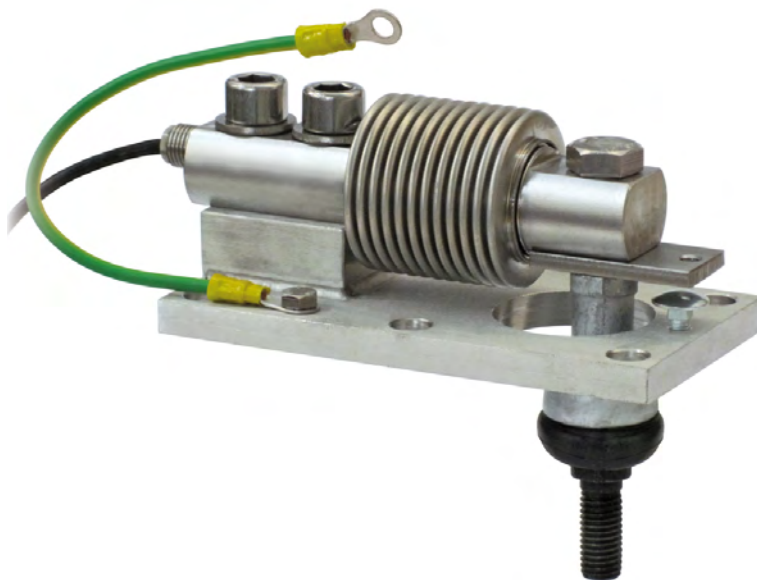
# TF-AST

MOUNTING KIT for BENDING BEAM load cells

LAUMAS®  
ELETTRONICA

Series load cells: FCAL - FCAX

Application range from 30 to 500 kg



MAX STATIC LOAD kg	FOR LOAD CELLS	NET WEIGHT OF MOUNTING KIT (kg)	CODE
500	FCAL - FCAX	1.5	TFAST

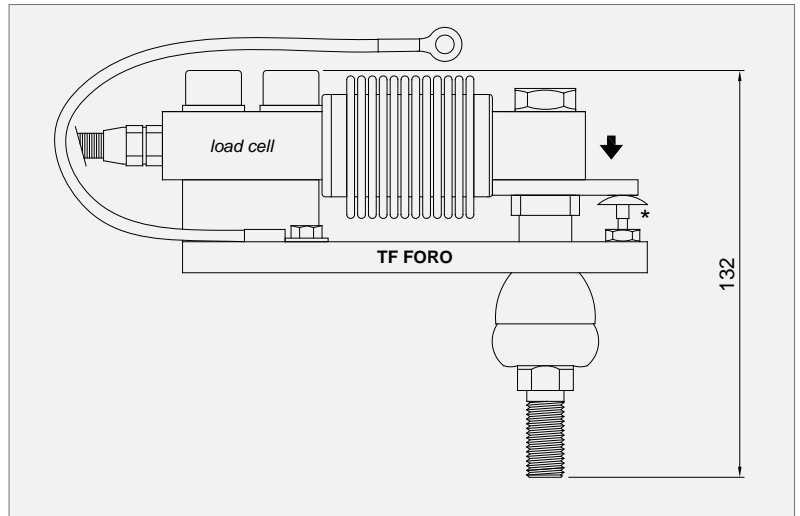
*Load cell not included.*

## DESCRIPTION

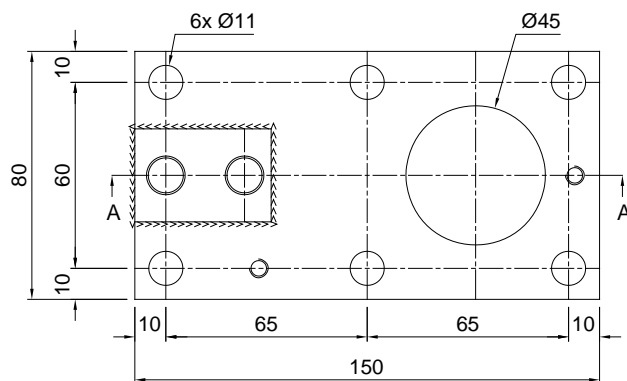
- Aluminum alloy tension ball joint.
- AISI 304 stainless steel lower plate.
- Locking screw to avoid damage during transport and installation.

### DIMENSIONS AND TECHNICAL SPECIFICATIONS

- During the transport and installation the lock (\*) must touch under the load cell. After installation, move the lock away from the load cell.
- Connect the structure to be weighed by means of copper wire, then connect all the lower plates to the earthing system.



TF FORO



Tension ball joint

