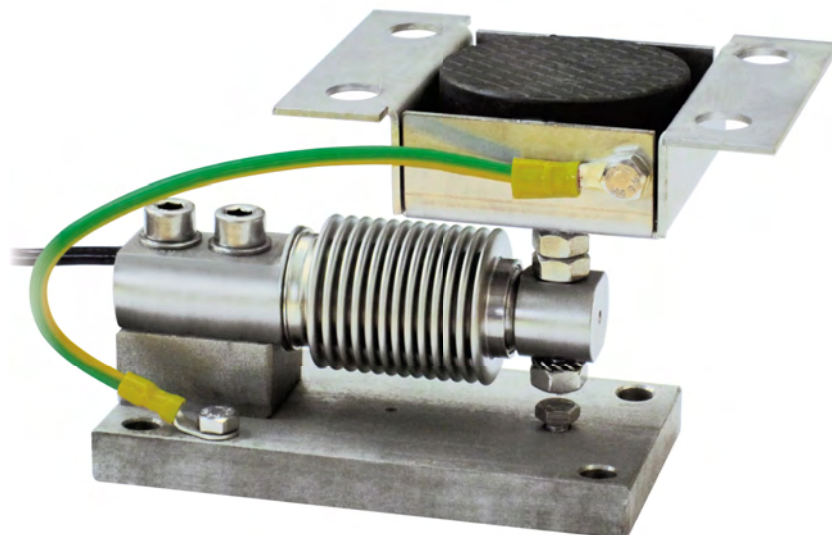


Series load cells: FCK - FCOL

Application range from 5 to 500 kg



MAX STATIC LOAD kg	FOR LOAD CELLS	NET WEIGHT OF MOUNTING KIT (kg)	CODE
500	FCK - FCOL	1.7	TFCPV
500	FCOL	1.7	TFCPV10

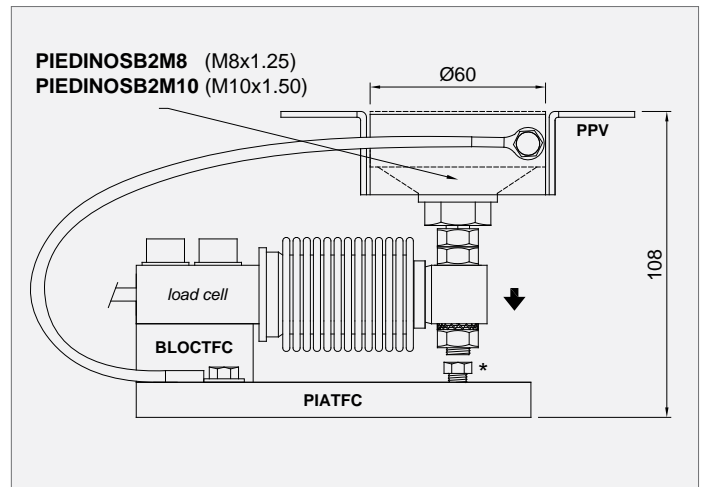
*Load cell not included.*

### DESCRIPTION

- Adjustable upper plate in AISI 304 stainless steel (PPV).
- Lower plate and block in AISI 304 stainless steel.
- Constraint against lateral forces and anti-tilt by in stainless steel self-centring joint foot.
- Misalignment compensation of the support plates structure.
- Adjustable height.
- Locking screw to avoid damage during transport and installation.

### DIMENSIONS AND TECHNICAL SPECIFICATIONS

- During the transport and installation the lock (\*) must touch under the load cell. After installation, move the lock away from the load cell.
- Interconnect the lower plates to the earthing.
- In case of structure with four-point support, if one-point does not touch the compression joint, you must proceed to insert a shim before fixing the bolts.



**PIATFC**

**BLOCTFC**

**PPV**

