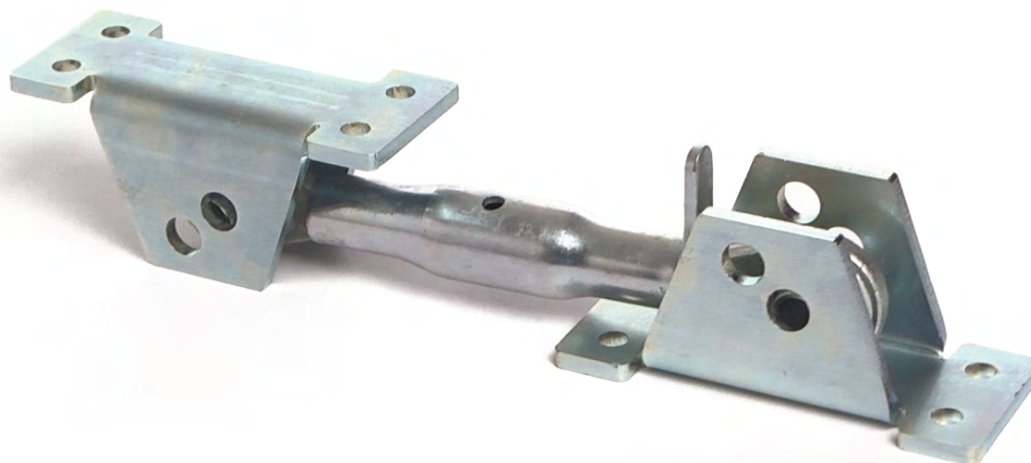


TENDITORE300 - PTEND

Horizontal restraints for mounting kits

LAUMAS[®]
ELETTRONICA

Application range from 15000 to 100000 kg



DESCRIPTION

CODE

Galvanized steel stay rod with dual ball-and-socket.

Net weight: - kg

Working load: 2500 kg

Carico di rottura: 10000 kg

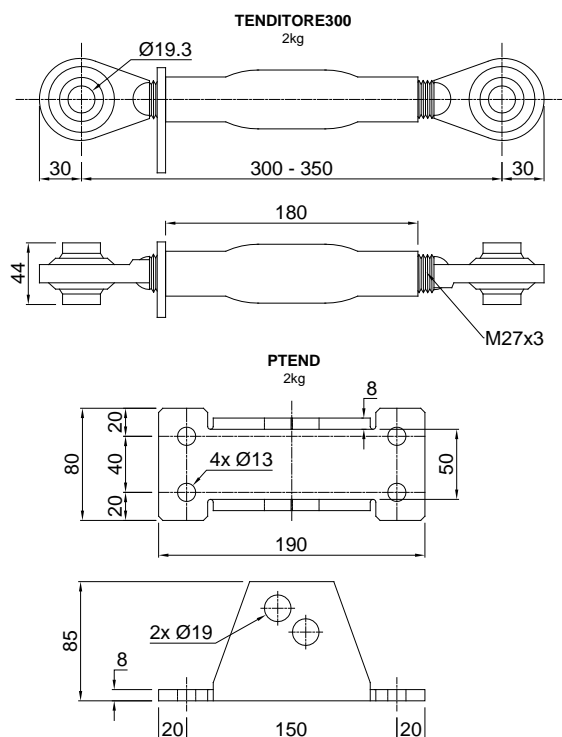
TENDITORE300

Galvanized steel anchor plate for TENDITORE300

Net weight: 1.5 kg

PTEND

DIMENSIONS

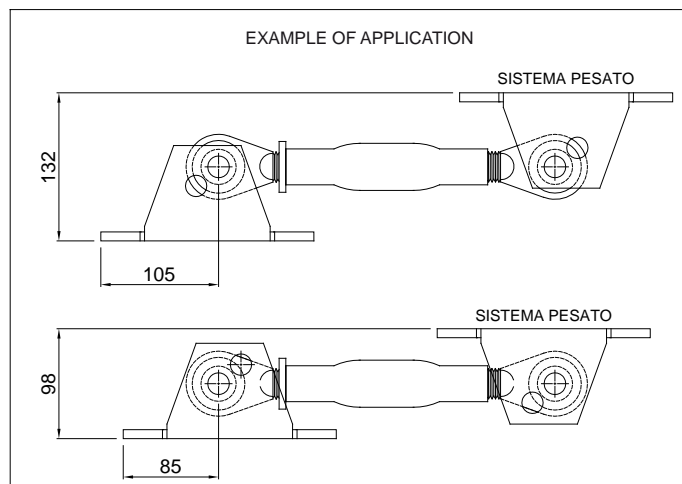


DESCRIPTION

- Suitable for static applications; place the constraints in a horizontal position.
- Stay rod lock for adjustment restraint.



EXAMPLE OF APPLICATION



TENDITORE300 - PTEND

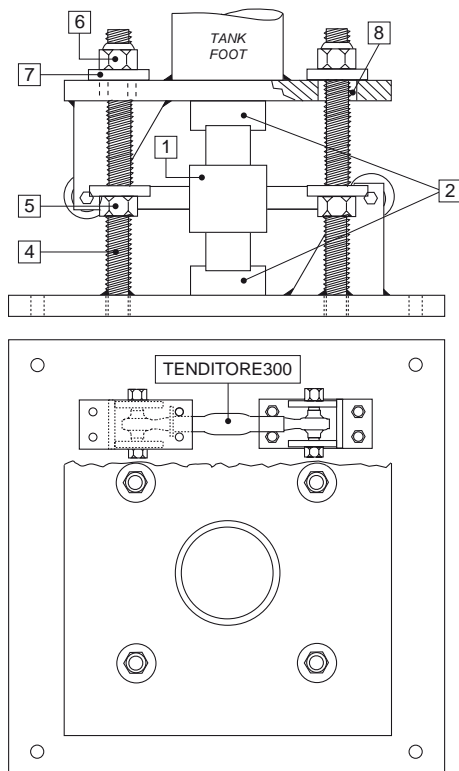
Horizontal restraints for mounting kits

APPLICATION EXAMPLE: HOW TO MAKE MOUNTING KITS WITH HORIZONTAL RESTRAINTS

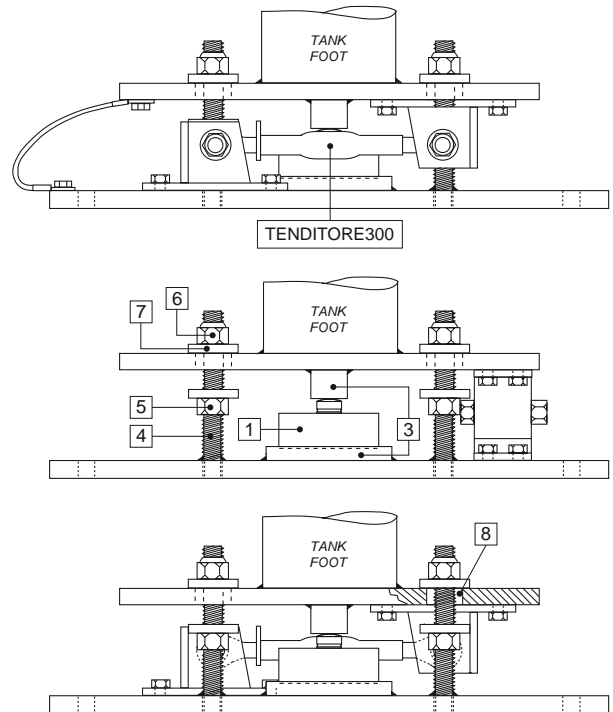
By a copper wire, connect the upper supporting plate with the lower supporting plate, then link together the lower plates to the earthing system.

To ensure the stability of the structure, the system designer must predict any further precaution against side shifts and anti-tilt in function of: knocks and vibrations, wind effect, seismic conditions and hardness of support structure.

Application example with column load cells

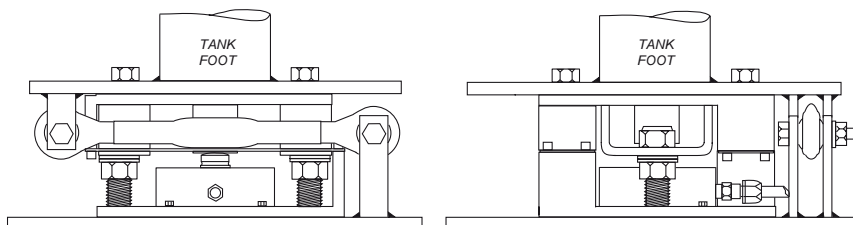


Application example with compression load cells

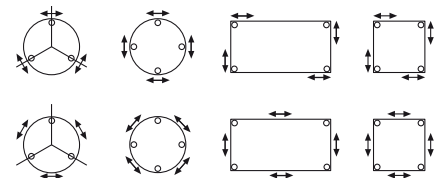


- 1 Load cell.
- 2 Mounting kit for column load cell.
- 3 AISI 304 stainless steel upper and lower bases.
- 4 Threaded bar.
- 5 Nut to be used as jack.
- 6 Anti-tilt self-locking nut.
- 7 Washer.
- 8 Hole diameter 20 mm larger than the bolt.

Application example with V15000 - V30000 - V100000 mounting kits

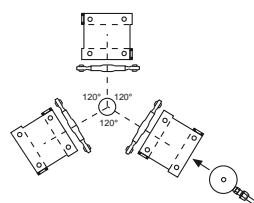


HORIZONTAL RESTRAINTS PLACEMENT ON 3/4 SUPPORTS: The restraining elements can be positioned both on supports and on the four sides, centrally between two supports.

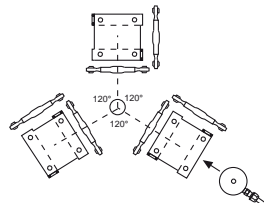


STRUCTURE WITH 3-POINTS SUPPORT

1 RESTRAINT FOR SUPPORT

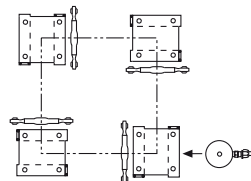


2 RESTRAINTS FOR SUPPORT



STRUCTURE WITH 4-POINTS SUPPORT

1 RESTRAINT FOR SUPPORT



2 RESTRAINTS FOR SUPPORT

