

# PVCLS

MOUNTING KIT for COMPRESSION-LOW PROFILE load cells

LAUMAS®  
ELETTRONICA

Series load cells:            CLS

Application range from 1000 to 2000 kg



MAX STATIC LOAD    kg	FOR LOAD CELLS	NET WEIGHT OF MOUNTING KIT (kg)	CODE
<b>2000</b>	CLS (1000 - 2000 kg)	0.6	PVCLS

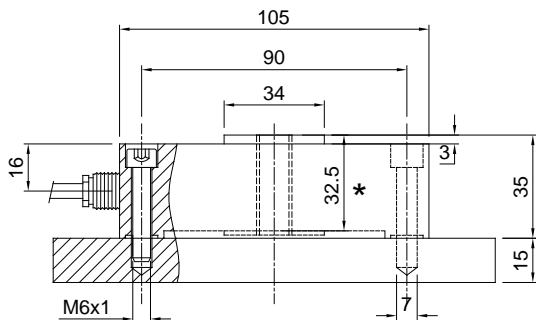
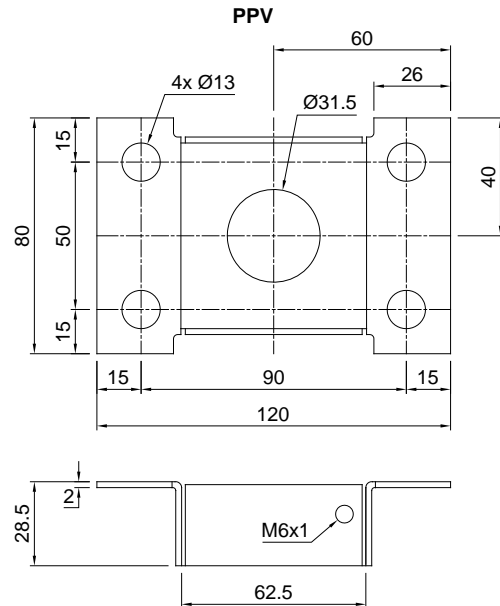
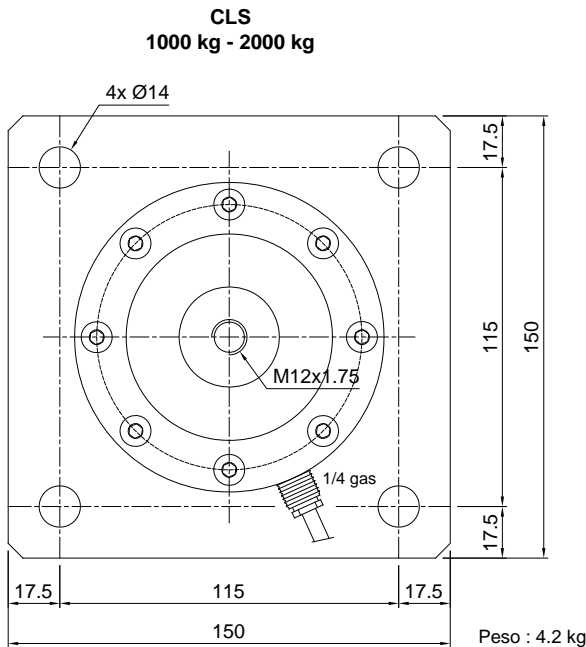
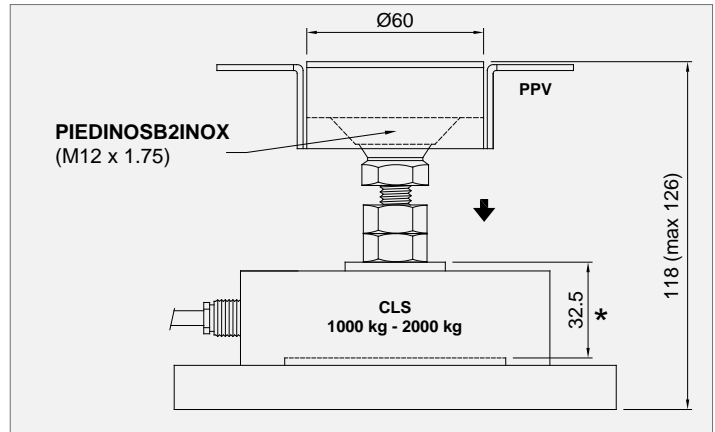
*Load cell not included.*

## DESCRIPTION

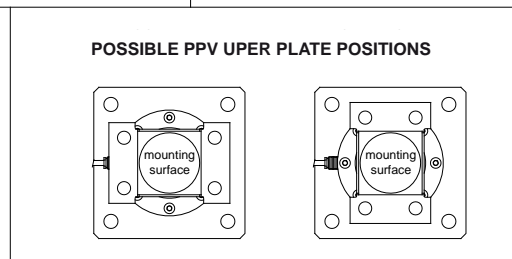
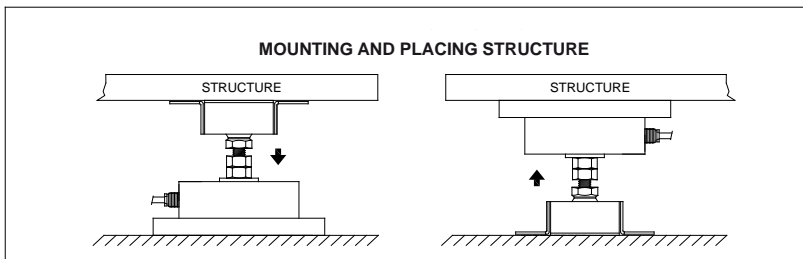
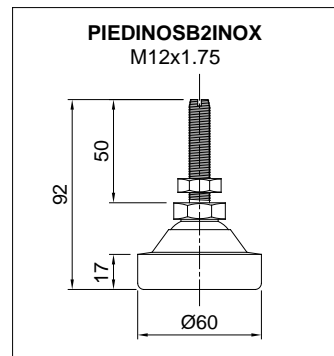
- Adjustable upper plate in AISI 304 stainless steel (PPV).
- AISI 304 stainless steel lower plate.
- Constraint against lateral forces and anti-tilt by in stainless steel self-centring joint foot.
- Misalignment compensation of the support plates structure.
- Adjustable height.

### DIMENSIONS AND TECHNICAL SPECIFICATIONS

- Finished the installation by means of a copper wire, connect the upper supporting plate with the lower supporting plate, then connect all the lower plates to the earthing system.
- In case of structure with four-point support, if one-point does not touch the support base of the foot, you must proceed to adjust foot height.



**\* WARNING!**  
Max dimension to insert the bolt to allow the cell to perform properly



The Company reserves the right to make changes to the technical data, drawings and images without notice.