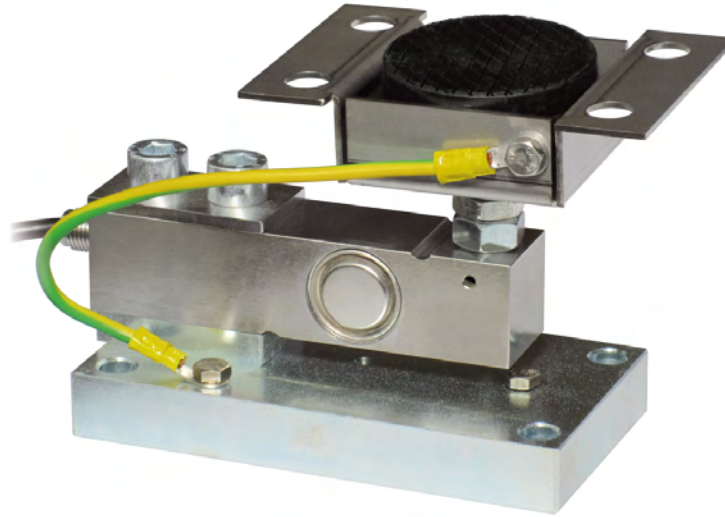


Series load cells: FTL - FTK - FTKL - FTP - FT-P - FTZ

Application range from 75 to 2000 kg



MAX STATIC LOAD kg	FOR LOAD CELLS	NET WEIGHT OF MOUNTING KIT (kg)	CODE
2000	FTL - FTK - FTKL - FTP - FT-P - FTZ	2.7	PV
2000	FTL - FTK - FTKL - FTP - FT-P - FTZ	2.7	PVZ

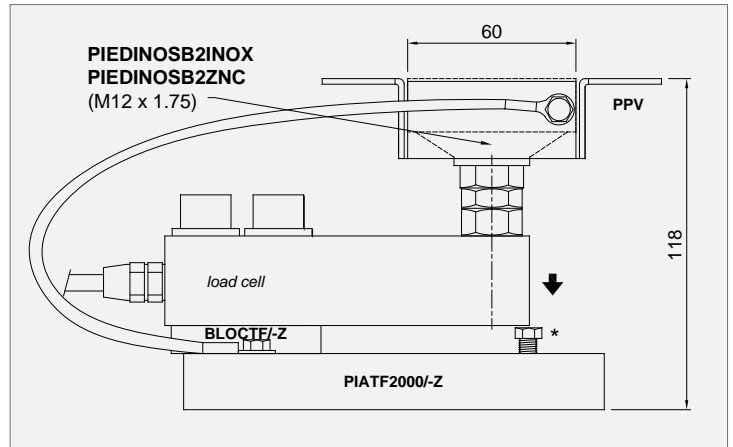
Load cell not included.

### DESCRIPTION

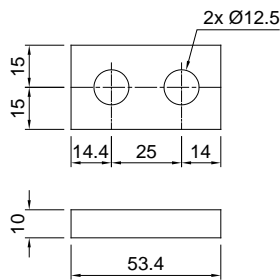
- Adjustable upper plate in AISI 304 stainless steel (PPV).
- Lower plate and block in AISI 304 stainless steel.
- Constraint against lateral forces and anti-tilt by in (TF-PV, TF-PV-2000) AISI 304 stainless steel or (TF-PVZ) galvanized steel self-centring joint foot.
- Misalignment compensation of the support plates structure.
- Adjustable height.
- Locking screw to avoid damage during transport and installation.

### DIMENSIONS AND TECHNICAL SPECIFICATIONS

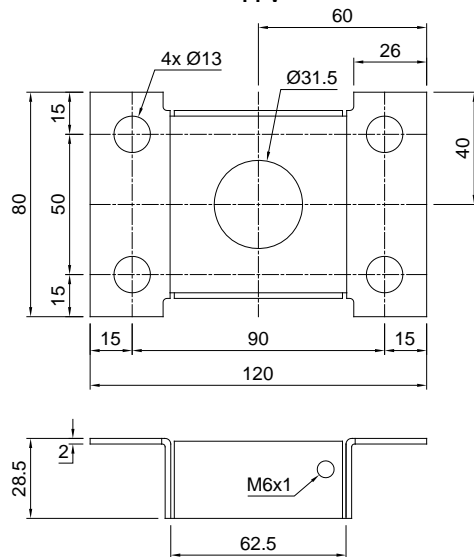
- During the transport and installation the lock (\*) must touch under the load cell. After installation, move the lock away from the load cell.
- Interconnect the plates to the earthing.
- In case of structure with four-point support, if one-point does not touch the compression joint, you must proceed to insert a shim before fixing the bolts.



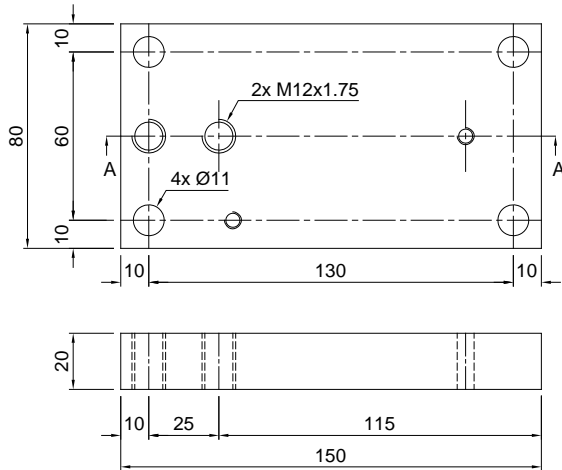
**BLOCTF  
BLOCTFZ**



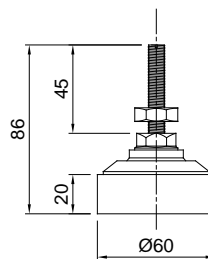
**PPV**



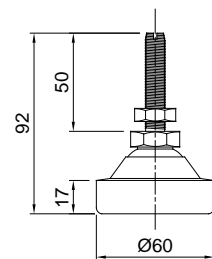
**PIATF2000  
PIATF2000Z**



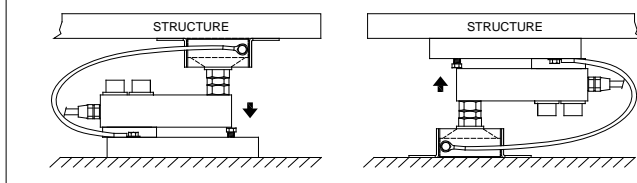
**PIEDINOSB2ZNC  
M12x1.75**



**PIEDINOSB2INOX  
M12x1.75**



**MOUNTING AND PLACING STRUCTURE**



**POSSIBLE PPV UPER PLATE POSITIONS**

