

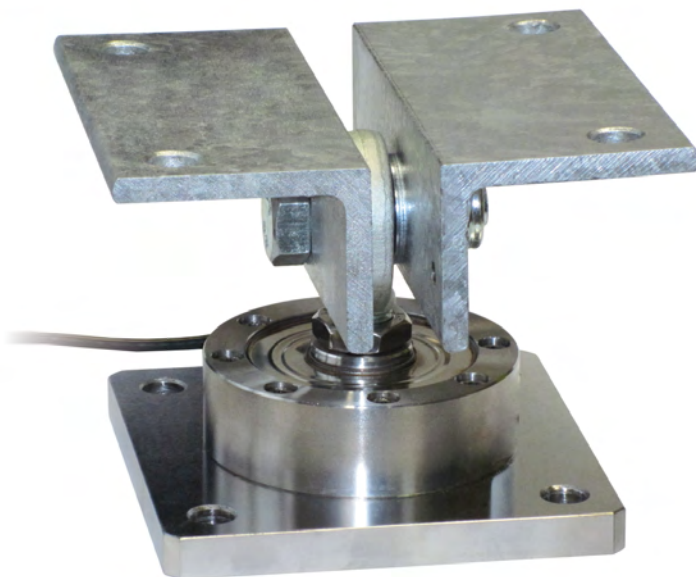
# PSCLS

MOUNTING KIT for COMPRESSION-LOW PROFILE load cells

LAUMAS®  
ELETTRONICA

Series load cells:            CLS

Application range 5000 kg



MAX STATIC LOAD    kg	FOR LOAD CELLS	NET WEIGHT OF MOUNTING KIT (kg)	CODE
<b>5000</b>	CLS (5000 kg)	3.6	PSCLS

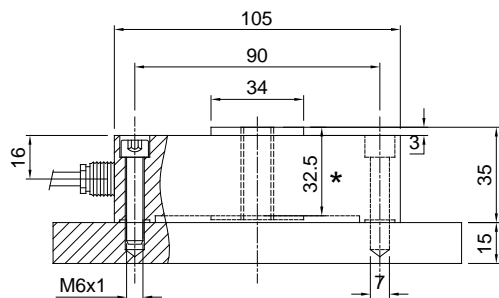
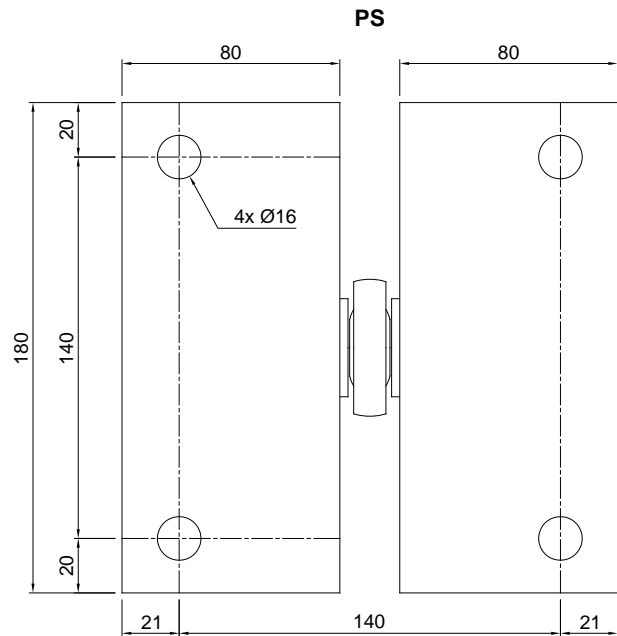
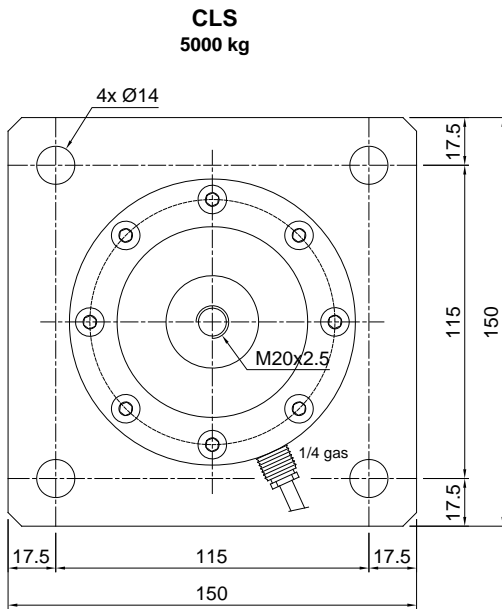
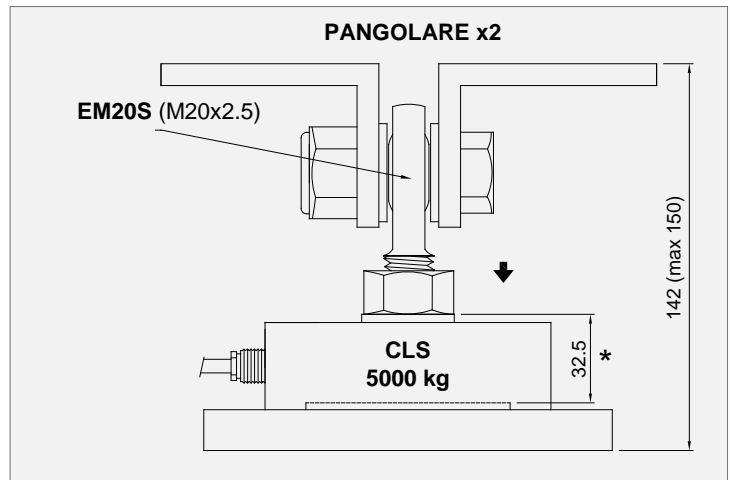
*Load cell not included.*

## DESCRIPTION

- Hot worked galvanized upper plate.
- AISI 304 stainless steel lower plate.
- Constraint against lateral forces and anti-tilt by in stainless steel self-centring joint foot.
- Misalignment compensation of the support plates structure.
- Adjustable height.

### DIMENSIONS AND TECHNICAL SPECIFICATIONS

- Finished the installation by means of a copper wire, connect the upper supporting plate with the lower supporting plate, then connect all the lower plates to the earthing system.



\* WARNING! Max dimension to insert the bolt to allow the cell to perform properly

