

# PIEDINOSB2

Self-centring joint feet

LAUMAS®  
ELETTRONICA

For BENDING BEAM and SHEAR BEAM load cells

Up to 5000 kg application range



MAX STATIC LOAD	kg	DIMENSIONS	MATERIAL	NET WEIGHT JOINT FOOT (kg)	CODE
500		M8x1.25	stainless steel	0.3	PIEDINOSB2M8
500		M10x1.5		0.3	PIEDINOSB2M10
2000		M12x1.75		0.4	PIEDINOSB2INOX
5000		M20x2.5		0.9	PIEDINOSB2M20
2000		M12x1.75	galvanized steel	0.4	PIEDINOSB2ZNC
5000		M20x2.5		-	PIEDINOSB2ZNCM20

Nuts and washers included.

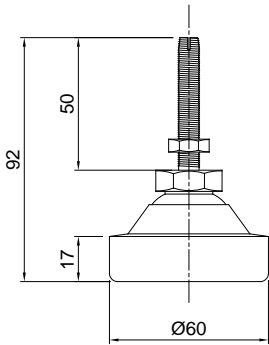
# PIEDINOSB2

Self-centring joint feet

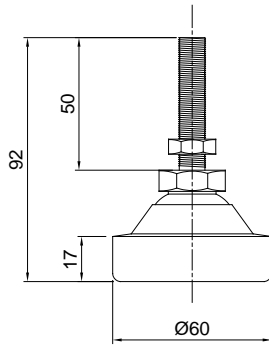
LAUMAS<sup>®</sup>  
ELETTRONICA

## DIMENSIONS AND APPLICATION

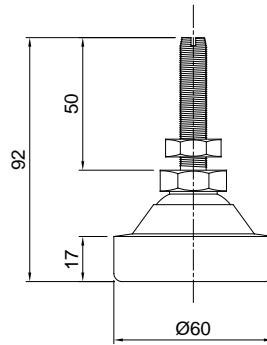
PIEDINOSB2M8  
M8x1.25



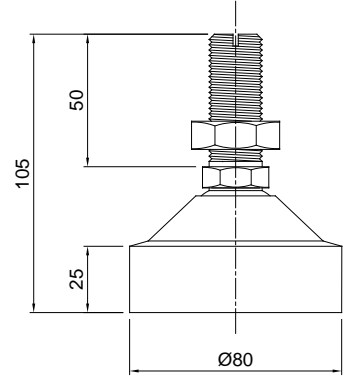
PIEDINOSB2M10  
M10x1.5



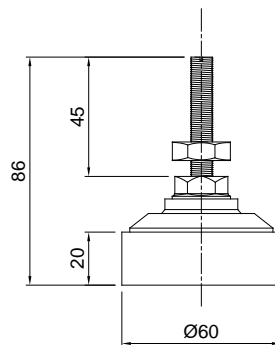
PIEDINOSB2INOX  
M12x1.75



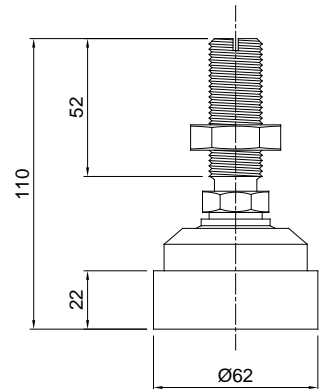
PIEDINOSB2M20  
M20x2.5



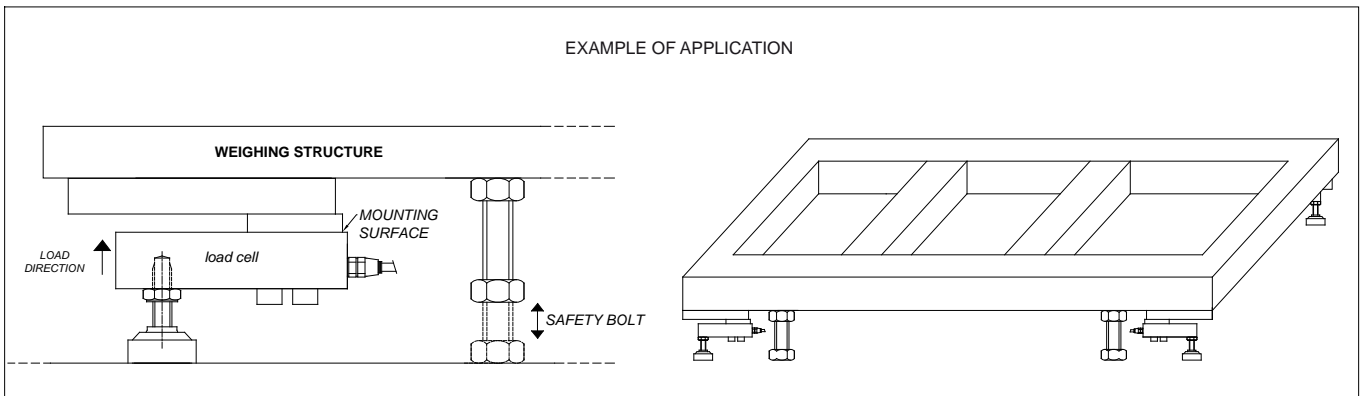
PIEDINOSB2ZNC  
M12x1.75



PIEDINOSB2ZNCM20  
M20x2.5



### EXAMPLE OF APPLICATION



Rev. 00 del 12/03/2015

The Company reserves the right to make changes to the technical data, drawings and images without notice.