

LPED

COMPRESSION LOAD CELL FOR FOOT BRAKE

LAUMAS®
ELETTRONICA



Manufactured according to OIML R60 standards

Capacity 100 kg



- ALUMINUM
- COMBINED ERROR $\leq \pm 0.08\%$
- PROTECTION CLASS IP65

CAPACITY	kg		NET WEIGHT OF LOAD CELL (kg)	CODE
100			-	LPED100

CERTIFICATIONS

CERTIFICATIONS ON REQUEST

- Calibration report (ACCREDIA LAT traceability)
- ATEX II 1GD (zone 0-1-2-20-21-22)
- IECEx II 1GD (zone 0-1-2-20-21-22)
- Complies with the Eurasian Custom Union regulations (Russia, Belarus, Kazakhstan)

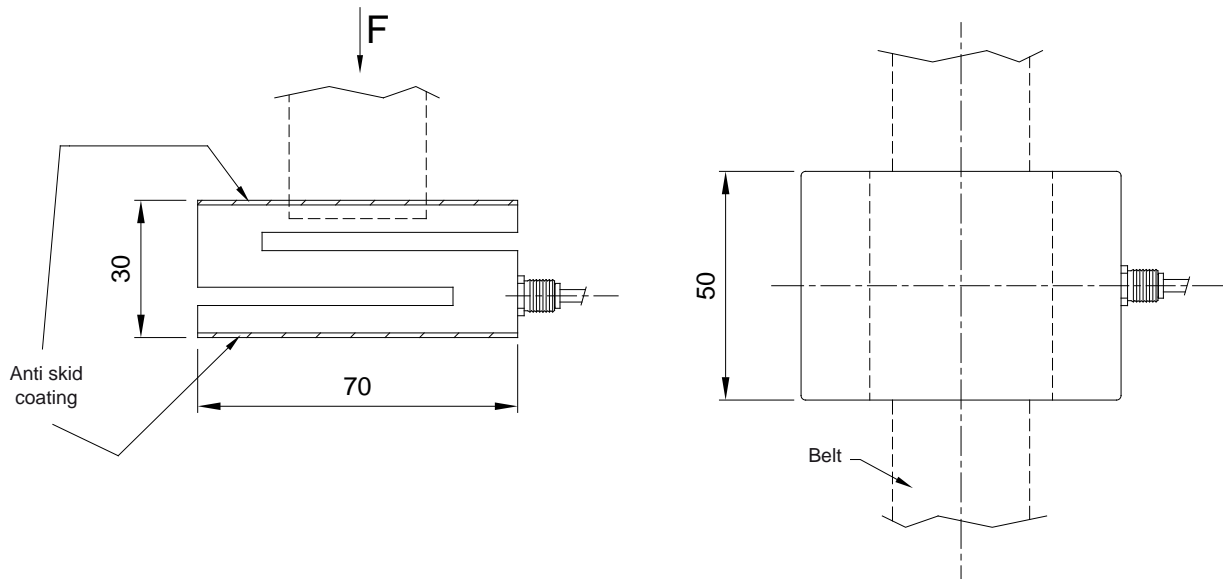
OPTIONS ON REQUEST

DESCRIPTION

Two redundant strain gauges Wheatstone bridges (350 Ω) with two output cables; for dual safety systems

Rev. 00 del 12/03/2015

DIMENSIONS (mm)

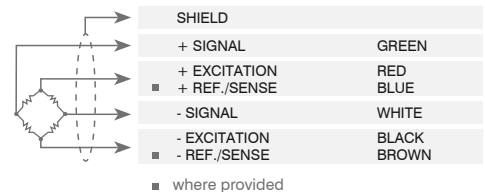


TECHNICAL FEATURES

Material	Aluminum		
Nominal load (E max)	100 kg		
Combined error	≤ ±0.08%		
Protection class	IP65		
Rated output	1 mV/V ±0.2%	Input resistance	350 Ω ±50
Temperature effect on zero	0.005% °C	Output resistance	350 Ω ±5
Temperature effect on span	0.003% °C	Zero balance	±1%
Compensated temperature range	-10 °C / +50 °C	Insulation resistance	>5000 MΩ
Operating temperature range	-20 °C / +70 °C	Safe overload (% of full scale)	150%
Creep at nominal load in 30 minutes	0.03%	Ultimate overload (% of full scale)	300%
Max supply voltage without damage	15 V	Deflection at nominal load	0.25 mm

ELECTRICAL CONNECTIONS

Cable length	2 m
Cable diameter	5 mm
Cores	4/6 x 0.25 mm ²



The Company reserves the right to make changes to the technical data, drawings and images without notice.