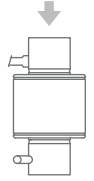
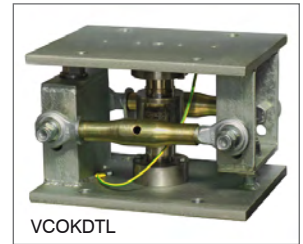




Capacity from 30000 kg to 60000 kg



MOUNTING KITS



VCOKDTL

- 17-4 PH STAINLESS STEEL
- COMBINED ERROR $\leq \pm 0.013\%$
- PROTECTION CLASS IP68

| CAPACITY | kg | ACCURACY CLASS | OIML | IECEx | Ex | EAC | NET WEIGHT OF LOAD CELL (kg) | CODE |
|----------|----|----------------|------|-------|----|-----|------------------------------|----------|
| 30000 | | C4 | • | • | • | | 2.5 | COL30000 |
| 60000 | | C4 | • | • | • | | 3.5 | COL60000 |

ON REQUEST

CERTIFICATIONS

OIML R60 C4

CERTIFICATIONS ON REQUEST

ATEX II 1GD (zone 0-1-2-20-21-22)

IECEx II 1GD (zone 0-1-2-20-21-22)

Complies with the Eurasian Custom Union regulations (Russia, Belarus, Kazakhstan)

COMPLEMENTARY ACCESSORIES



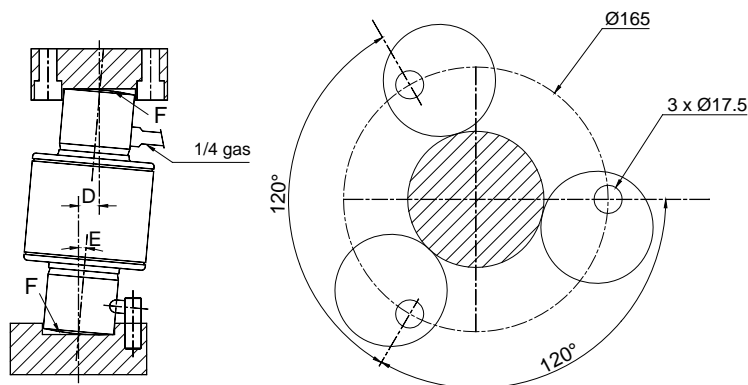
DESCRIPTION

AISI 420 hardened steel mounting kit composed by rubber sheath, 2 bases (upper and lower) and 3 self-centring cylindrical plates.

CODE

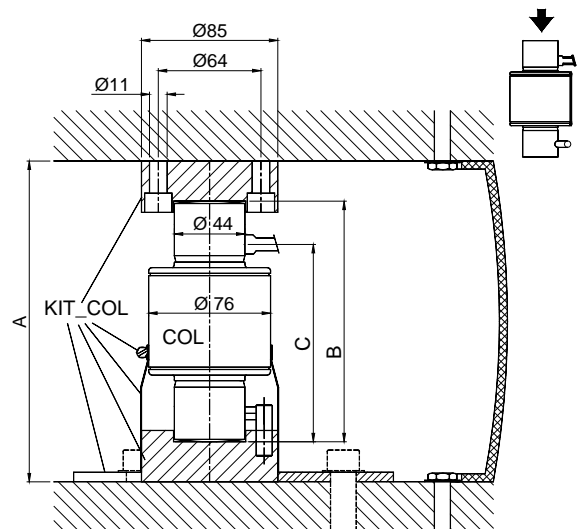
KIT_COL

DIMENSIONS (mm)



| | A | B | C | D max. | E (max. angle) | F (curvature radius) | weight |
|-----------|-----|-----|-----|--------|----------------|----------------------|--------|
| COL 30000 | 200 | 150 | 123 | 13 | 5° | 160° | 2.3 kg |
| COL 60000 | 260 | 210 | 153 | 11 | 3° | 220° | 3.7 kg |

KIT_COL weight = 3 kg



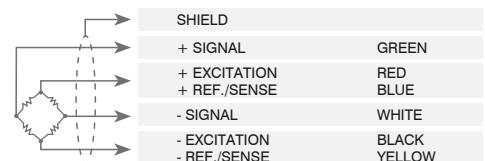
TECHNICAL FEATURES

| | | | |
|--|-------------------------|-------------------------------------|------------|
| Material | 17-4 PH stainless steel | | |
| OIML R60 Accuracy class • Verification intervals | C4 • 4000 | | |
| Nominal load (E max) | 30000 kg | | |
| Minimum verification interval (V min) | E max / 10000 | | |
| Combined error | ≤ ±0.013% | | |
| Protection class | IP68 | | |
| Rated output | 2 mV/V ±0.1% * | Input resistance | 800 Ω ±30 |
| Temperature effect on zero | 0.002% °C | Output resistance | 700 Ω ±10 |
| Temperature effect on span | 0.0012% °C | Zero balance | ±2% |
| Compensated temperature range | -10 °C / +40 °C | Insulation resistance | >5000 MΩ |
| Operating temperature range | -30 °C / +70°C | Safe overload (% of full scale) | 120% |
| Creep at nominal load in 30 minutes | 0.016% | Ultimate overload (% of full scale) | 200% |
| Max supply voltage without damage | 15 V | Deflection at nominal load | 0.6 - 1 mm |

* Calibrated current output

ELECTRICAL CONNECTIONS

| | |
|----------------|--------------------------|
| Cable length | 20 m |
| Cable diameter | 6 mm |
| Cores | 6 x 0.22 mm ² |



The Company reserves the right to make changes to the technical data, drawings and images without notice.