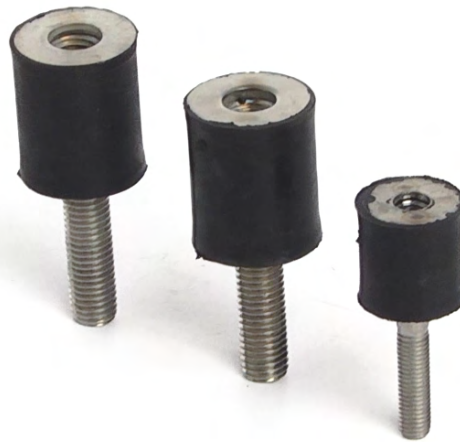
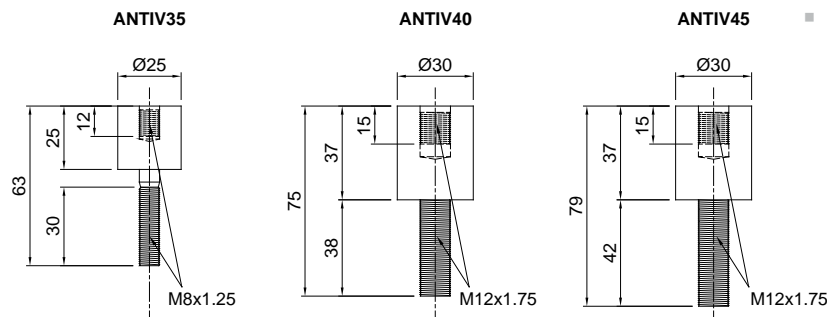


Application range from 500 to 2000 kg



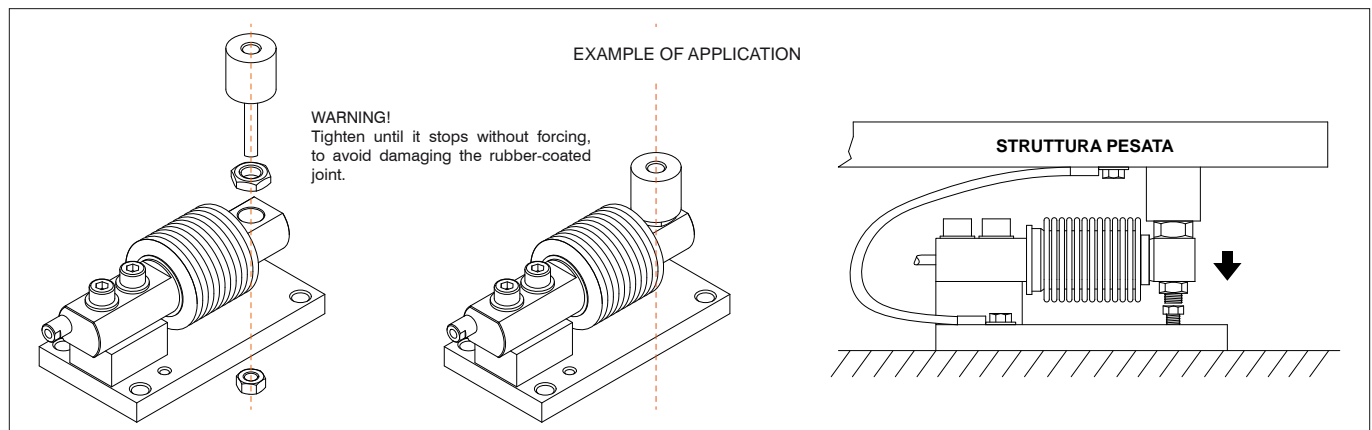
MAX STATIC LOAD kg	FOR LOAD CELLS	DIMENSIONS	NET WEIGHT OF ACCESSORY (kg)	CODE
500	FCOL - FCK	M8x1.25	-	ANTIV35
2000	FTKL - FTL - FCAL - FCAX - FTP FT-P - FTK- FTZ - CLS	M12x1.75	-	ANTIV40
2000	FCAL - FCAX	M12x1.75	-	ANTIV45

DIMENSIONS AND APPLICATION



DESCRIPTION

- Stainless steel and rubber compression joints to compensate for misalignment of the support plates.



The Company reserves the right to make changes to the technical data, drawings and images without notice.