

AF

SINGLE-POINT LOAD CELL for platforms 150x150 mm

LAUMAS®
ELETTRONICA



Manufactured according to OIML R60 standards



Capacity from 5 kg to 50 kg



- SPECIAL STEEL
- COMBINED ERROR $\leq \pm 0.05\%$
- PROTECTION CLASS IP65

CAPACITY	kg		EAC	PLATFORM DIMENSION (mm)	NET WEIGHT OF LOAD CELL (kg)	CODE
5		•	•	150 x 150	0.13	AF5
15		•	•	150 x 150	0.13	AF15
50		•	•	150 x 150	0.13	AF50

ON REQUEST

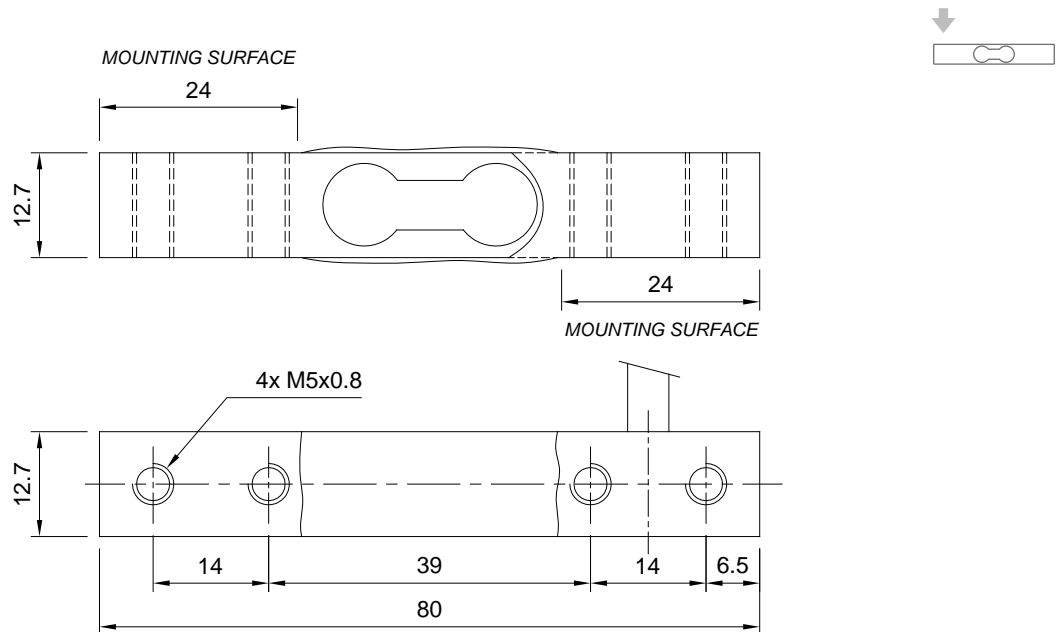
CERTIFICATIONS

CERTIFICATIONS ON REQUEST

	ATEX II 1GD (zone 0-1-2-20-21-22)
	IECEx II 1GD (zone 0-1-2-20-21-22)
	Complies with the Eurasian Custom Union regulations (Russia, Belarus, Kazakhstan)

Rev. 00 del 12/03/2015

DIMENSIONS (mm)

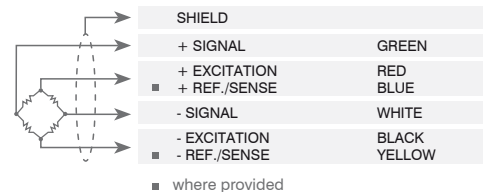


TECHNICAL FEATURES

Material	Special steel		
Nominal load (E max)	5 - 15 - 50 kg		
Combined error	≤ ±0.05%		
Protection class	IP65		
Rated output	3 mV/V ±10%	Input resistance	410 Ω ±40
Temperature effect on zero	0.005% °C	Output resistance	350 Ω ±5
Temperature effect on span	0.005% °C	Zero balance	0-4%
Compensated temperature range	-10 °C / +40 °C	Insulation resistance	>2000 MΩ
Operating temperature range	-20 °C / +60 °C	Safe overload (% of full scale)	150%
Creep at nominal load in 30 minutes	0.05%	Ultimate overload (% of full scale)	200%
Max supply voltage without damage	10 V	Deflection at nominal load	0.5 mm

ELECTRICAL CONNECTIONS

Cable length	3 m
Cable diameter	4 mm
Cores	4/6 x 0.20 mm ²



The Company reserves the right to make changes to the technical data, drawings and images without notice.