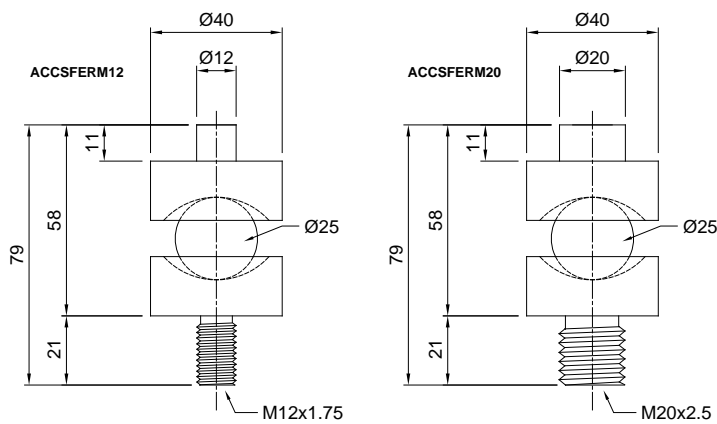


Application range from 300 to 5000 kg



MAX STATIC LOAD kg	FOR LOAD CELLS	DIMENSIONS	NET WEIGHT OF ACCESSORY (kg)	CODE
2000	FTL - FTK - FT-P - FTKL FTZ - FTP - CLS	M12x1.75	0.3	ACCSFERM12
5000	FTK - FTKL - FTZ (5000 kg) FTP (3000-5000 kg) - CLS (5000 kg)	M20x2.5	0.4	ACCSFERM20

DIMENSIONS AND APPLICATION

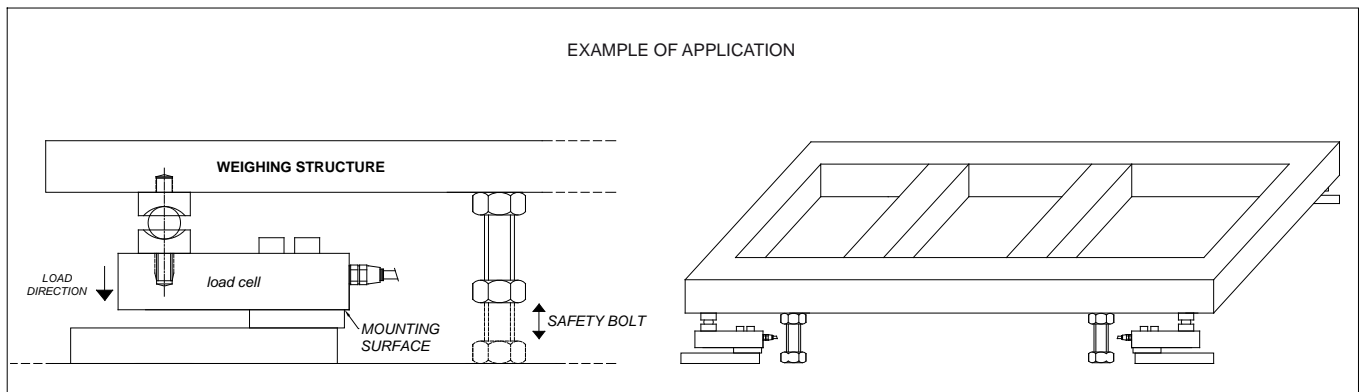


DESCRIPTION

- Stainless steel accessory with ball to compensate for misalignment of the support plates.



EXAMPLE OF APPLICATION



The Company reserves the right to make changes to the technical data, drawings and images without notice.